

Name: _____

Date: _____

4th Grade Unit 4 Review Multidigit Multiplication

1. Solve the extended multiplication facts below.

a. $40 * 30 =$ _____

b. $80 * 90 =$ _____

c. $70 * 2 =$ _____

d. $500 * 60 =$ _____

e. $900 * 6 =$ _____

f. $3,000 * 7 =$ _____

Solve the multiplication problems below using any method
(*traditional, partial-products, lattice and/or partitioned rectangle*).

1.
$$\begin{array}{r} 27 \\ \times 5 \\ \hline \end{array}$$

3.
$$\begin{array}{r} 43 \\ \times 6 \\ \hline \end{array}$$

4.
$$\begin{array}{r} 168 \\ \times 4 \\ \hline \end{array}$$

5.
$$\begin{array}{r} 42 \\ \times 39 \\ \hline \end{array}$$

6. Find the number of liters or milliliters.

Liters (L)	Milliliters (mL)
2	
	4,000
8	
16	

7. Explain how you found how many milliliters are in 8 liters.

3. Find the number of kilograms or grams.

Kilograms (kg)	Grams (g)
1	
	3,000
12	
27	

9. Explain how you found how many grams were in 12 kilograms.

3. Kaitlyn, Michael and Anthony drive together to visit their aunt and uncle. They decided to take turns driving. Kaitlyn drives for 24 miles, and Michael drives three times as far as Kaitlyn. Then Anthony drives twice as far as Kaitlyn and Michael combined. How far did Anthony drive?

Estimate: _____

Number models with unknown: _____

Answer: _____ miles

Is your answer reasonable? Explain.

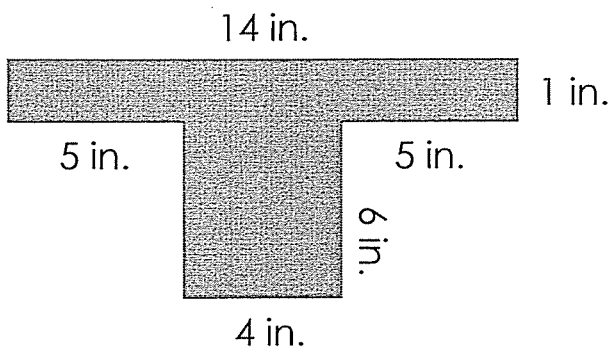
Madison is buying a laptop for \$586. He paid for the laptop using four \$100 bills, fifteen \$10 bills and forty-six \$1 bills. How much did Madison pay?

a. Write number models to show your thinking.

b. Did he pay the exact amount, too little, or too much?

c. Explain.

12. Find the area and perimeter of the shape below.



a. Area: _____ square inches

b. Perimeter: _____ inches

Name: _____

Date: _____

4th Grade Unit 4 Review Multidigit Multiplication

1. Solve the extended multiplication facts below.

a. $40 * 30 = \underline{1,200}$

b. $80 * 90 = \underline{7,200}$

c. $70 * 2 = \underline{140}$

d. $500 * 60 = \underline{30,000}$

e. $900 * 6 = \underline{5,400}$

f. $3,000 * 7 = \underline{21,000}$

Solve the multiplication problems below using any method
(*traditional, partial-products, lattice and/or partitioned rectangle*).

2.
$$\begin{array}{r} 27 \\ \times 5 \\ \hline 135 \end{array}$$

3.
$$\begin{array}{r} 43 \\ \times 6 \\ \hline 258 \end{array}$$

4.
$$\begin{array}{r} 168 \\ \times 4 \\ \hline 672 \end{array}$$

5.
$$\begin{array}{r} 42 \\ \times 39 \\ \hline 1,683 \end{array}$$

3. Kaitlyn, Michael and Anthony drive together to visit their aunt and uncle. They decided to take turns driving. Kaitlyn drives for 24 miles, and Michael drives three times as far as Kaitlyn. Then Anthony drives twice as far as Kaitlyn and Michael combined. How far did Anthony drive?

Estimate: Sample answers: $20 \times 3 = 60$
 $(20 + 60) \times 2 = 160$

Number models with unknown: Sample answers:
 $24 \times 3 = m$ $(24 + 72) \times 2 = a$

Answer: 192 miles

Is your answer reasonable? Explain.

Answers vary.

Madison is buying a laptop for \$586. He paid for the laptop using four \$100 bills, fifteen \$10 bills and forty-six \$1 bills. How much did Madison pay?

a. Write number models to show your thinking.

$$4 \times 100 = 400 \quad 15 \times 10 = 150 \quad 46 \times 1 = 46$$

$$400 + 150 + 46 = 596$$

b. Did he pay the exact amount, too little, or too much?

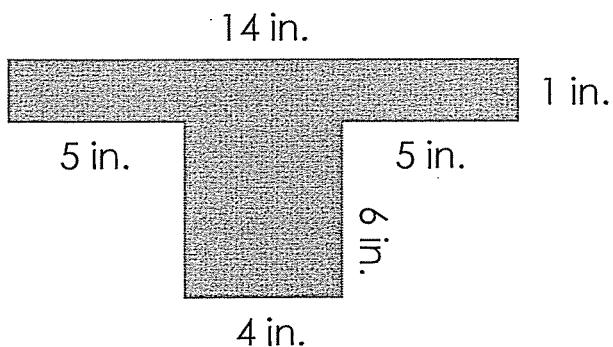
Too much

∴ Explain.

Madison only owes \$586 and he paid \$596. He paid

\$10 too much.

12. Find the area and perimeter of the shape below.



a. Area: 38 square inches

b. Perimeter: 42 inches

6. Find the number of liters or milliliters.

Liters (L)	Milliliters (mL)
2	2,000
4	4,000
8	8,000
16	16,000

7. Explain how you found how many milliliters are in 8 liters.

Sample answer: I know 1 liter has 1,000 milliliters, so I

multiplied $8 \times 1,000$ to get 8,000.

3. Find the number of kilograms or grams.

Kilograms (kg)	Grams (g)
1	1,000
3	3,000
12	12,000
27	27,000

9. Explain how you found how many grams were in 12 kilograms.

Sample answer: I know one kilogram contains 1,000 grams.

so I multiplied $12 \times 1,000$ to get 12,000.